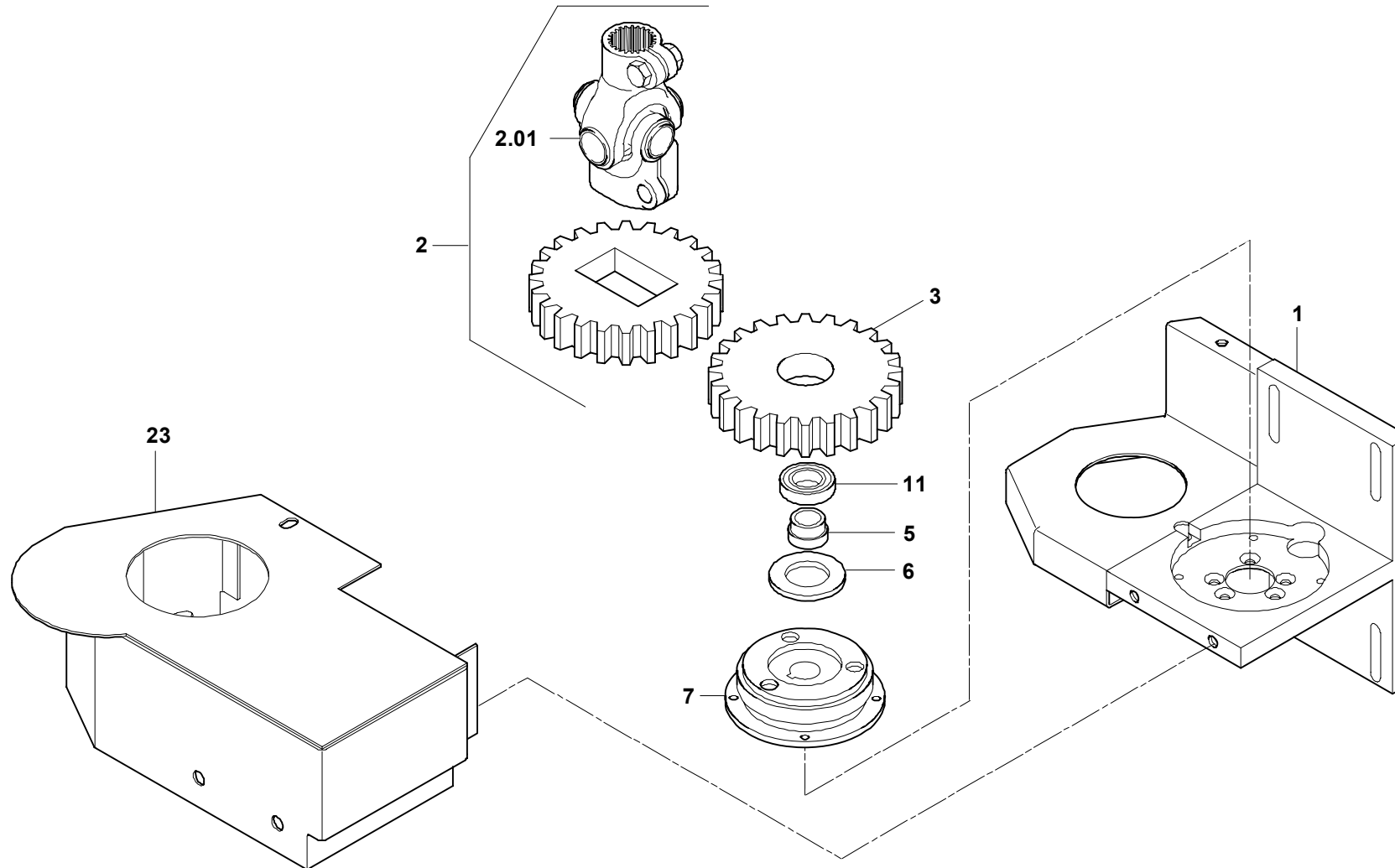


**GROVE**LENKUNG OBERWAGEN  
STEERING SYSTEM SUPERSTRUCTUREBILDТАFEL  
PICTORIAL DISPLAY**GMK 4080**  
**BE 504**  
**G 072**

02.04

**3065380-ETL #**

1/1



3065380-0-BL01-0204-0000